

THIN FILM CHIP INDUCTOR

ATFC-0201



RoHS
Compliant



0.6 x 0.3 x 0.23mm

FEATURES:

- A photo-lithographic single layer ceramic chip
- High SRF; Excellent Q
- Superior Temperature Stability
- Tight Tolerance of $\pm 1\%$ or $\pm 0.1\text{nH}$
- Self Resonant Frequency Control within 10%
- Stable Inductance in High Frequency Circuit
- Highly Stable Design for Critical Needs

APPLICATIONS:

- Cellular Telephones
- Pagers and GPS Products
- Wireless LAN
- Bluetooth Module
- VCO, TCXO Circuit and RF Transceiver Modules
- Communication Appliances

STANDARD SPECIFICATIONS:

PARAMETERS

ABRACON P/N:	ATFC-0201-xxx Series
Operating temperature:	-25°C to + 85°C
Storage temperature:	25 \pm 3°C; Humidity <80%RH.

Electrical Characteristics / ATFC-0201-xxx

ABRACON p/n	Inductance (nH)	Inductance Tolerance		Quality Factor (Q) min	Resistance DC/Max (Ohm)	Current DC/Max (mA)	Self Resonant Frequency /min (GHz)
		Standard	Other Options				
ATFC-0201-0N1- X	0.1	B($\pm 0.1\text{nH}$)	C,S	8 / 500 MHz	0.2	400	9
ATFC-0201-0N2- X	0.2	B($\pm 0.1\text{nH}$)	C,S	8 / 500 MHz	0.2	400	9
ATFC-0201-0N3- X	0.3	B($\pm 0.1\text{nH}$)	C,S	8 / 500 MHz	0.2	400	9
ATFC-0201-0N4- X	0.4	B($\pm 0.1\text{nH}$)	C,S	8 / 500 MHz	0.25	350	9
ATFC-0201-0N5- X	0.5	B($\pm 0.1\text{nH}$)	C,S	8 / 500 MHz	0.25	350	9
ATFC-0201-0N6- X	0.6	B($\pm 0.1\text{nH}$)	C,S	8 / 500 MHz	0.25	350	9
ATFC-0201-0N7- X	0.7	B($\pm 0.1\text{nH}$)	C,S	8 / 500 MHz	0.3	300	9
ATFC-0201-0N8- X	0.8	B($\pm 0.1\text{nH}$)	C,S	8 / 500 MHz	0.3	300	9
ATFC-0201-0N9- X	0.9	B($\pm 0.1\text{nH}$)	C,S	8 / 500 MHz	0.3	300	9
ATFC-0201-1N0- X	1.0	B($\pm 0.1\text{nH}$)	C,S	8 / 500 MHz	0.3	300	9
ATFC-0201-1N1- X	1.1	B($\pm 0.1\text{nH}$)	C,S	8 / 500 MHz	0.35	300	9
ATFC-0201-1N2- X	1.2	B($\pm 0.1\text{nH}$)	C,S	8 / 500 MHz	0.35	250	9
ATFC-0201-1N3- X	1.3	B($\pm 0.1\text{nH}$)	C,S	8 / 500 MHz	0.45	250	9
ATFC-0201-1N4- X	1.4	B($\pm 0.1\text{nH}$)	C,S	8 / 500 MHz	0.45	250	9
ATFC-0201-1N5- X	1.5	B($\pm 0.1\text{nH}$)	C,S	8 / 500 MHz	0.45	200	9
ATFC-0201-1N6- X	1.6	B($\pm 0.1\text{nH}$)	C,S	8 / 500 MHz	0.55	200	9
ATFC-0201-1N7- X	1.7	B($\pm 0.1\text{nH}$)	C,S	8 / 500 MHz	0.55	200	9
ATFC-0201-1N8- X	1.8	B($\pm 0.1\text{nH}$)	C,S	8 / 500 MHz	0.55	200	9
ATFC-0201-1N9- X	1.9	B($\pm 0.1\text{nH}$)	C,S	8 / 500 MHz	0.55	200	9
ATFC-0201-2N0- X	2.0	B($\pm 0.1\text{nH}$)	C,S	8 / 500 MHz	0.7	200	8
ATFC-0201-2N1- X	2.1	B($\pm 0.1\text{nH}$)	C,S	8 / 500 MHz	0.7	200	8
ATFC-0201-2N2- X	2.2	B($\pm 0.1\text{nH}$)	C,S	8 / 500 MHz	0.7	150	8
ATFC-0201-2N3- X	2.3	B($\pm 0.1\text{nH}$)	C,S	8 / 500 MHz	0.8	150	8

Test Equipment: HP4286A +Agilent 16196C

ABRACON IS
ISO 9001 / QS 9000
CERTIFIED



Visit www.abracon.com for Terms & Conditions of Sale **Revised: 11.26.08**
30332 Esperanza, Rancho Santa Margarita, California 92688
tel 949-546-8000 | fax 949-546-8001 | www.abracon.com

THIN FILM CHIP INDUCTOR

ATFC-0201



RoHS
Compliant

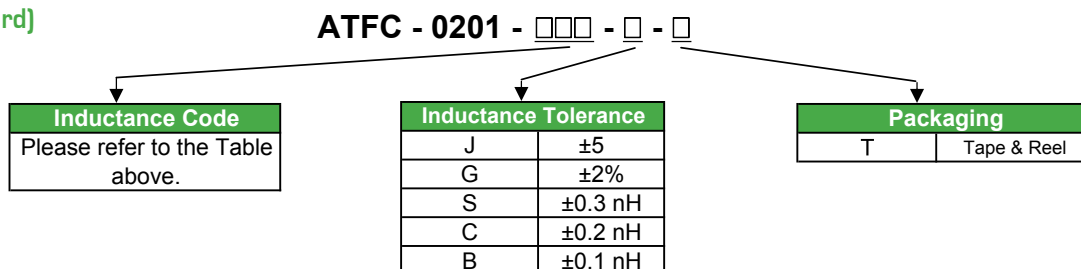


0.6 x 0.3 x 0.23mm

ABRACON p/n	Inductance (nH)	Inductance Tolerance		Quality Factor (Q) min	Resistance DC/Max (Ohm)	Current DC/Max (mA)	Self Resonant Frequency /min (GHz)
		Standard	Other Options				
ATFC-0201-2N4 - X	2.4	B(±0.1nH)	C,S	8 / 500 MHz	0.8	150	8
ATFC-0201-2N5 - X	2.5	B(±0.1nH)	C,S	8 / 500 MHz	0.8	150	8
ATFC-0201-2N6 - X	2.6	B(±0.1nH)	C,S	8 / 500 MHz	0.8	150	8
ATFC-0201-2N7 - X	2.7	B(±0.1nH)	C,S	8 / 500 MHz	0.8	150	8
ATFC-0201-2N8 - X	2.8	B(±0.1nH)	C,S	8 / 500 MHz	1	150	6
ATFC-0201-2N9 - X	2.9	B(±0.1nH)	C,S	8 / 500 MHz	1	150	6
ATFC-0201-3N0 - X	3.0	B(±0.1nH)	C,S	8 / 500 MHz	1	150	6
ATFC-0201-3N1 - X	3.1	B(±0.1nH)	C,S	8 / 500 MHz	1	150	6
ATFC-0201-3N2 - X	3.2	B(±0.1nH)	C,S	8 / 500 MHz	1	150	6
ATFC-0201-3N3 - X	3.3	B(±0.1nH)	C,S	8 / 500 MHz	1	150	6
ATFC-0201-3N4 - X	3.4	B(±0.1nH)	C,S	8 / 500 MHz	1.2	150	6
ATFC-0201-3N5 - X	3.5	B(±0.1nH)	C,S	8 / 500 MHz	1.2	150	6
ATFC-0201-3N6 - X	3.6	B(±0.1nH)	C,S	8 / 500 MHz	1.2	150	6
ATFC-0201-3N7 - X	3.7	B(±0.1nH)	C,S	8 / 500 MHz	1.2	150	6
ATFC-0201-3N9 - X	3.9	B(±0.1nH)	C,S	8 / 500 MHz	1.2	150	6
ATFC-0201-4N7 - X	4.7	B(±0.1nH)	C,S	8 / 500 MHz	1.4	130	6
ATFC-0201-5N6 - X	5.6	G(±2%)	J	8 / 500 MHz	1.8	130	4
ATFC-0201-6N8 - X	6.8	G(±2%)	J	8 / 500 MHz	2.3	110	4
ATFC-0201-8N2 - X	8.2	G(±2%)	J	8 / 500 MHz	3	110	3
ATFC-0201-10N - X	10.0	G(±2%)	J	8 / 500 MHz	3.5	80	2

OPTIONS AND PART IDENTIFICATION:

(Left blank if standard)



THIN FILM CHIP INDUCTOR

ATFC-0201

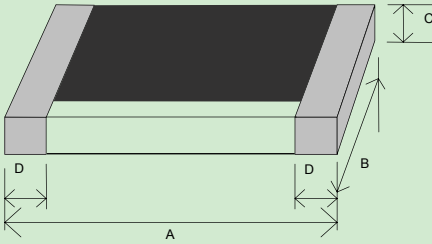


RoHS
Compliant



0.6 x 0.3 x 0.23mm

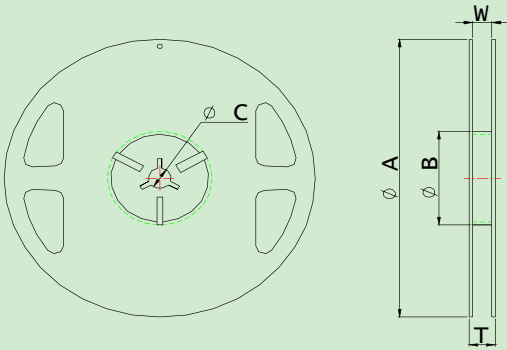
OUTLINE DRAWING:



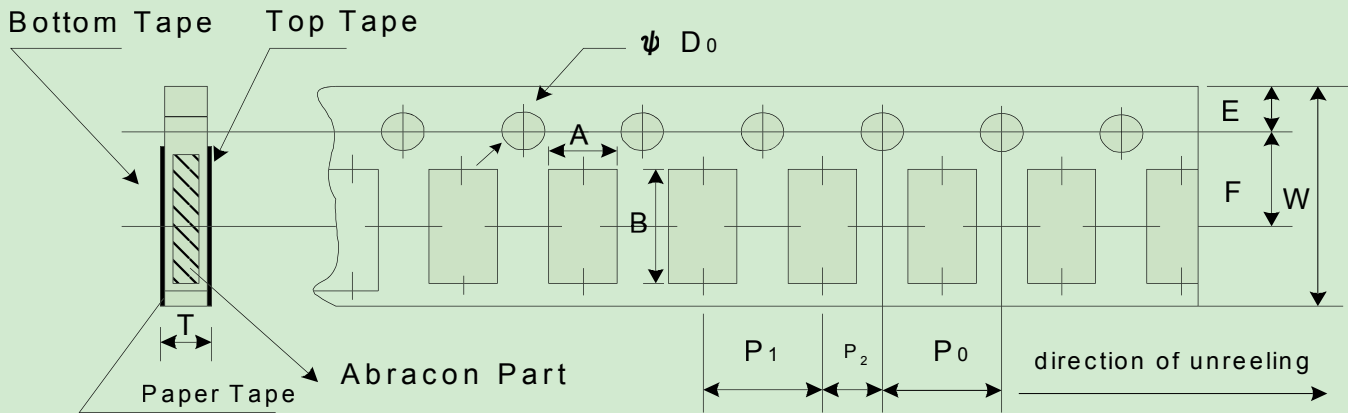
Series	A	B	C	D
ATFC-0201	0.024±0.002 (0.60 ± 0.05)	0.012±0.002 (0.30 ± 0.05)	0.009±0.002 (0.23 ± 0.05)	0.006±0.002 (0.15 ± 0.05)

Dimensions: Inches (mm)

TAPE & REEL: T= tape and reel (10000pcs/reel)



ABRACON P/N	? A	? B	? C	W	T	Paper Tape (EA)
ATFC-0201	178±1	60.2±0.5	13.0±0.50	9.00±0.5	12.0±0.15	10,000



Codes	A	B	W	E	F
ATFC-0201	0.40±0.05	0.70±0.05	8.00±0.10	1.75±0.05	3.5±0.05

Codes	P ₀	P ₁	P ₂	? D ₀	T
ATFC-0201	4.00±0.10	4.00±0.05	2.00±0.05	1.55±0.05	0.265±0.05

Dimensions: mm