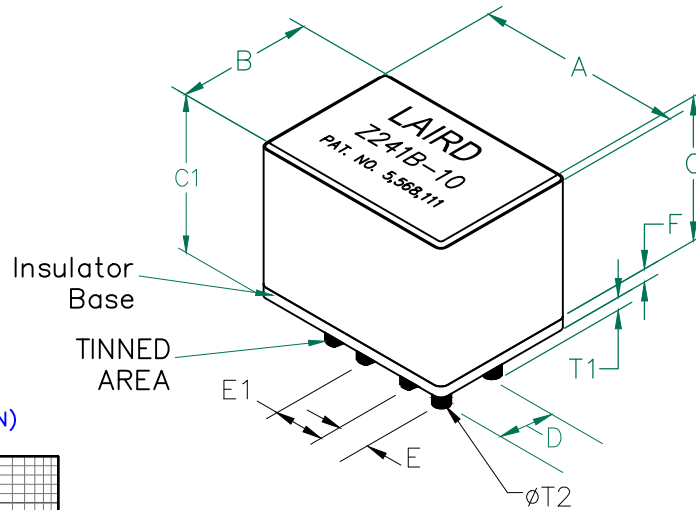


PHYSICAL DIMENSIONS:

A	14.48 [.570]	+	0.23 [.009]
B	10.03 [.395]	+	0.15 [.006]
C	9.78 [.385]	+	0.15 [.006]
C1	10.90 [.429]	+	0.23 [.009]
		-	0.59 [.023]
D	4.06 [.160]	+	0.13 [.005]
E	2.54 [.100]	+	0.13 [.005]
E1	3.45 [.136]	+	0.13 [.005]
F	0.76 [.030]	+	0.08 [.003]
T ₁	3.20 [.126]	+	0.25 [.010]
T ₂	1.09 [.043]		REF.

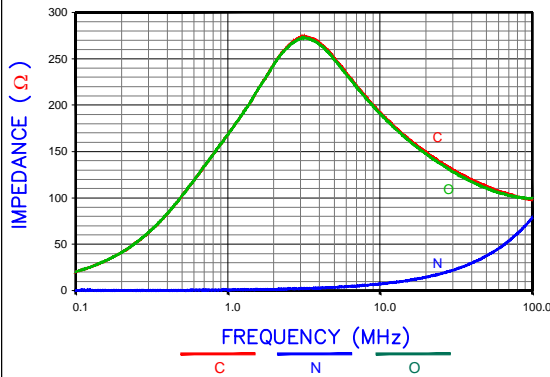
CM5740Z241B-10



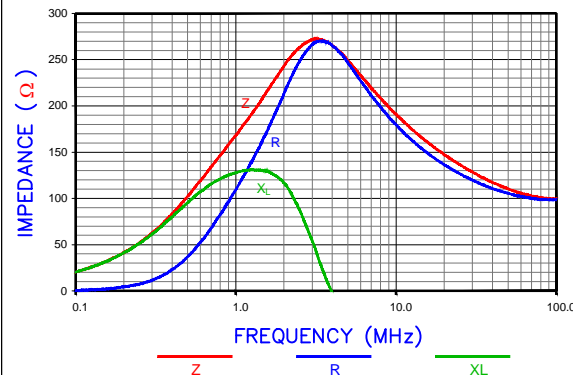
ELECTRICAL CHARACTERISTICS:			
Z @ 4 MHz (2-TURN) (Ω)	DCR (Ω) VALUE PER TURN	Rated Current	
Nominal	240		
Minimum	180		
Maximum	-	0.0013	20,000 mA

- NOTES: UNLESS OTHERWISE SPECIFIED
1. BULK PACKAGED, 825 PCS PER CASE.
 2. COMPONENTS SHOULD BE ADEQUATELY PREHEATED BEFORE SOLDERING.
 3. LINE TO LINE HI-POT: > 500 VDC.
 4. OPERATION TEMPERATURE (INCLUDING SELF-HEATING): -40 ~ +125°C.

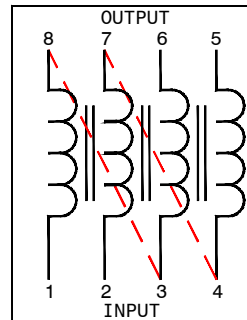
Z vs. FREQUENCY (C,O,N) (2-TURN)



Z, R, XL vs. FREQUENCY (2-TURN)

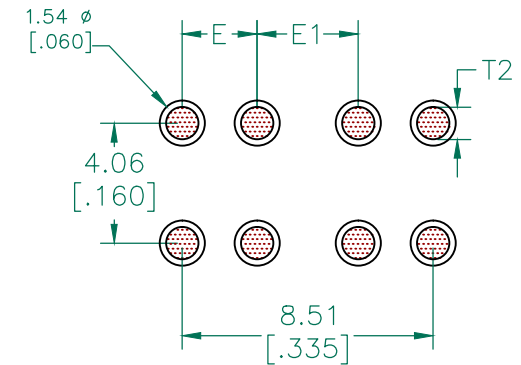


Two Turn Equivalent Circuits



RoHS

HOLE PATTERNS FOR WAVE SOLDERING



UNCONTROLLED DOCUMENT

DIMENSIONS ARE IN mm (INCHES).				This print is the property of Laird Tech. and is loaned in confidence subject to return upon request and with the understanding that no copies shall be made without the written consent of Laird Tech. All rights to design or invention are reserved.	
F	CHANGE DIMENSIONS C1 AND NOTE 4	07/06/15	QU		
E	UPDATE COMPANY LOGO & KAPTON LABEL	11/18/08	JRK		
D	ADD TWO LINES TO CENTER OF EQUIVALENT CIRCUIT DIAGRAM	04/16/07	JRK		
C	MOVE CURRENT RATING TO MAX.FROM MIN.	02/23/07	JRK		
B	RE-ACTIVATE PRINT ADD ROHS SYMBOL CHANGE NOTES REMOVE VIEW	01/03/06	JRK	PROJECT/PART NUMBER:	REV F
A	ORIGINAL DRAFT	02/10/04	JRK	CM5740Z241B-10	PART TYPE: ASSEMBLY
REV	DESCRIPTION	DATE	INT	DATE: 02/10/04	SCALE: NTS
				CAD #	SHEET: H0571
				CM5740Z241B-10-F-1	1 of 2