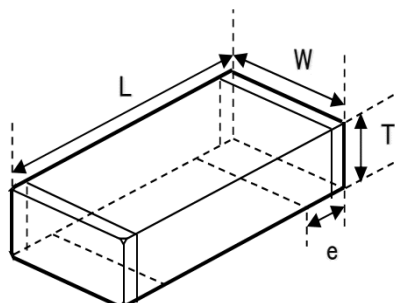


Spec Sheet

High-Q Multilayer Chip Inductors for High Frequency Applications (HK series Q type)

HKQ0603W24NH-T



■ Features

- Item Summary
24nH \pm 3%, 0.16A, 0201/0603 (EIA/JIS)
- Lifecycle Stage
Mass Production
- Standard packaging quantity (minimum)
Taping paper 15000pcs

■ Products characteristics table

| | |
|--|--------------------------|
| Inductance | 24 nH \pm 3 % |
| Case Size (EIA/JIS) | 0201/0603 |
| Rated Current (max) | 0.16 A |
| DC Resistance (max) | 1.6 Ω |
| Q (min) | 12 |
| Q (typ) | 17 |
| LQ Measuring Frequency | 500 MHz |
| Self Resonant Frequency (min) | 2200 MHz |
| Operating Temp. Range | -55 to +125 $^{\circ}$ C |
| Temperature characteristic (Inductance change) | \pm 10 % |
| RoHS2 Compliance (10 subst.) | Yes |
| REACH Compliance (173 subst.) | Yes |
| Halogen Free | Yes |
| Soldering | Reflow |

■ External Dimensions

| | |
|-------------|--------------------|
| Dimension L | 0.6 \pm 0.03 mm |
| Dimension W | 0.3 \pm 0.03 mm |
| Dimension T | 0.3 \pm 0.03 mm |
| Dimension e | 0.15 \pm 0.05 mm |

2017.04.30

The data is reference only. Electrical characteristics vary depending on environment or measurement condition.
TAIYO YUDEN reserves the right to make change to the Date at any time without notice.
Before making final selection, please check product specification.