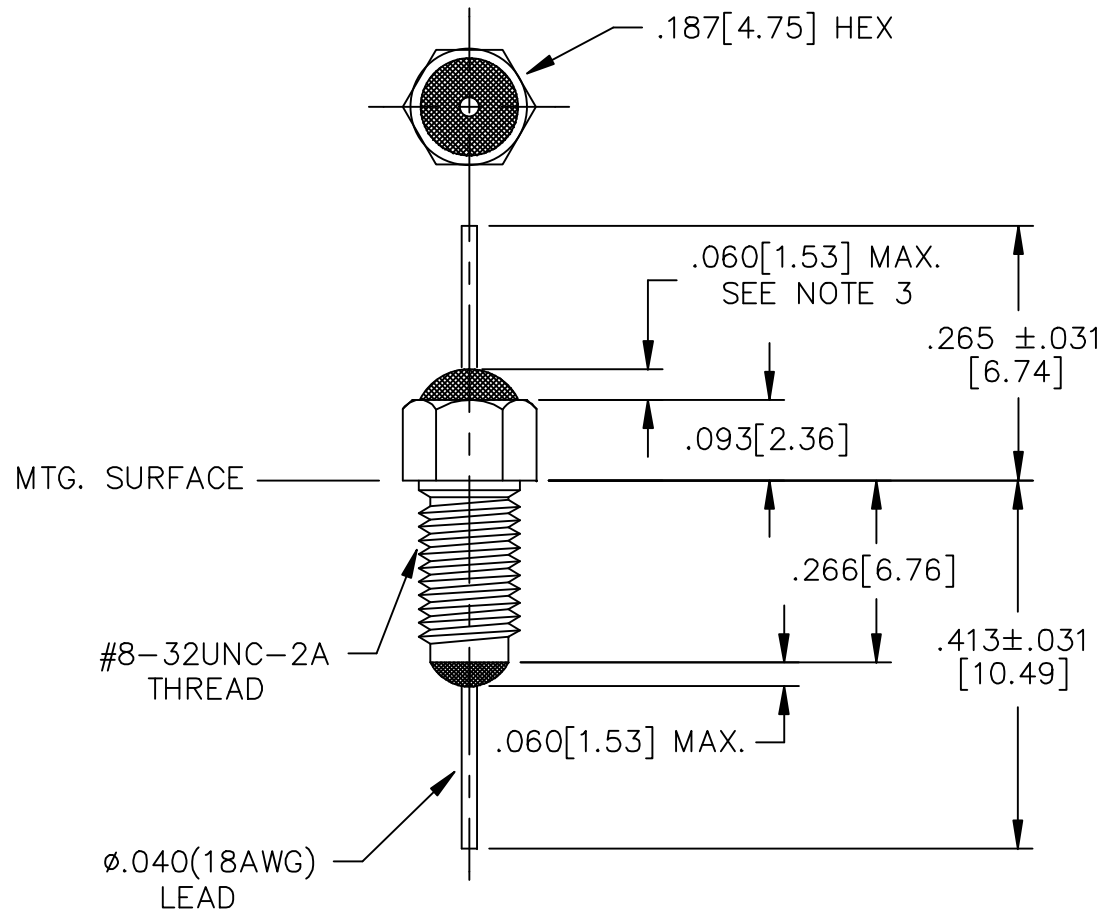


NOTES:

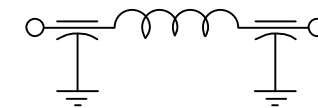
1. MAXIMUM MOUNTING TORQUE = 4lbs-in.
2. HARDWARE IS INCLUDED.
3. NO POTTING VOIDS ALLOWED.



49

LEAD FINISH:	SOLDER
BUSHING FINISH:	SILVER
CAPACITANCE	5500pF +100/-0%
TEMP. RANGE	-55°C TO 125°C
CURRENT	15 AMP MAX.
WORKING VOLTAGE	85°C --- VDC MAX. 125°C 200 VDC MAX.
D.C. RESISTANCE	.01ohms MAX.
MIN. I.L. PER MIL-STD-220 AT 25°C NO LOAD	
FREQ. MHz	I.L. (db)
10	14
30	30
100	55
300	70
1 GHz	70


SCHEMATIC



MARKING:

PART: S002

BAG:  
SCI 51-744-002  
DATE CODE:  
QTY./BAG (100 MAX.)

	49	48	47	46	45	44	43	REV. NO.	TOLERANCES UNLESS OTHERWISE SPECIFIED	 FAIRVIEW PENNSYLVANIA SPECTRUM CONTROL INC.	
	CN 40280-ENG	CN 10814-CPD	CN 211305	CN 199636	CN 199259	CN 188259	CN 184950	CHANGE NOTICE	Fractions ± 1/64		Dwn. KAUFFMAN
									Dec. .xx±		Ckd. 2-26-08
									Dec. .xxx±.005		Engr. B. DEVINE
									Angles ±0° 30'		Scale NONE
									CODE IDENT. NO. DLSP2	Description Pi RESIN SEAL FILTER 51-744-002	

