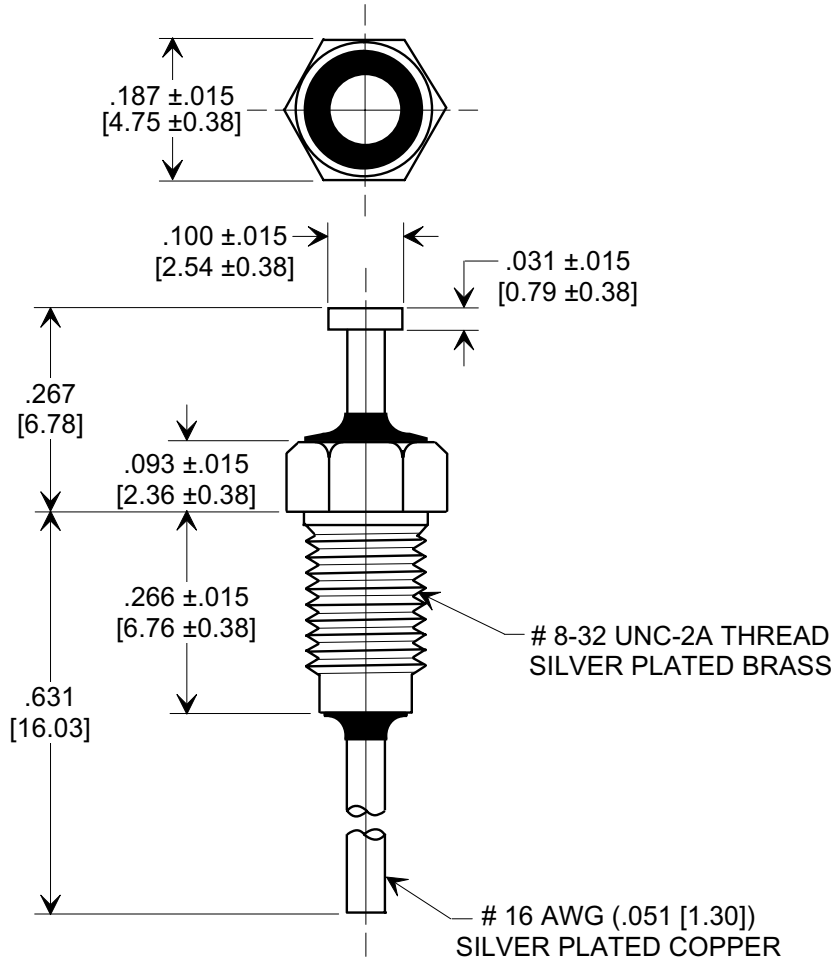
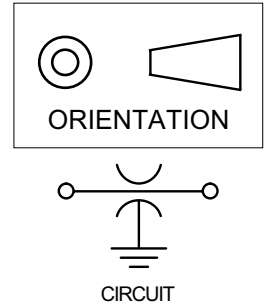


This drawing is the property of Tusonix, Inc., and may not be used, reproduced, published or disclosed to others without expressed authorization by Tusonix Inc.

Electrical Testing
per Tusonix standard
test plans and Mil-Std-202
Test Methods.

MARKETING SALES DRAWING
DIMENSIONS IN INCHES - DO NOT SCALE THIS DRAWING
DIMENSIONS IN METRIC - []



NOTES:

1. SUPPLIED WITH SILVER PLATED HEX NUT.
2. MOUNTING TORQUE NOT TO EXCEED 5 lb-in. [.565 Nm].
3. TUSONIX STANDARD PART NUMBER: 2425-001-X5U0-101AA. TUSONIX RoHS COMPLIANT PART NUMBER: 2425-001-X5U0-101AA LF. CUSTOMER MUST SPECIFY STANDARD OR RoHS PART NUMBER WHEN ORDERING.
4. PART MARKING: STANDARD PART: BLACK INK FOR TRADEMARK AND CAP. CODE. RoHS PART: GREEN INK FOR TRADEMARK AND CAP. CODE.

* GMV - GUARANTEED MINIMUM VALUE.

SPECIFICATIONS

Tusonix Style:	2425-001
Capacitance Value:	100 pF
Capacitance Tol.:	GMV *
Temp. Characteristic:	X5U
Rating:	200 VDC @ 85°C/100 @ 125°C
Operating Range:	-55°C TO +125°C
I.R. min. @ 100 (VDC.)	10 G Ω
DWV (VDC)	600

REVISION RECORD	Original Release	0
	C.O. 19991201-3-01	1
	RESCALE DRAWING. ADDED METRIC, IR, DWV & STYLE. REVISED TITLE; DIM .267 & .631. S.M. 01-04-05	2
	20050103-5-01	2
REVISED RATING, OPERATING RANGE & ADDED & REVISED NOTES. S.M. 03-08-06		
20060217-2-05		

--TOLERANCES-- Unless Otherwise Specified		Title MINIATURE BUSHING FEED-THRU CAPACITOR	
DECIMAL ± .031 [0.79]		Drawn	Scale
ANGLES ±		S.M. 12-02-99	4 X
TUSONIX TUCSON, ARIZONA		Approved T.C. 12-02-99	
		A 2425-001-X5U0-101AA	