

| | | |
|-------------|----------|-----|
| DESCRIPTION | 11-70-91 | REV |
| L. Westoby | | 0 |

SAFETY ORGANIZATION(S).

THIS FILTER HAS BEEN FORMALLY RECOGNIZED, CERTIFIED OR APPROVED BY THE LISTED AGENCY, THEREFORE, ALL TEST/REQUIREMENTS SPECIFIED IN THE LATEST REVISION OF THE FOLLOWING AGENCY STANDARDS HAVE BEEN MET.

- UL 544
- CSA 22.2, NO. 0.0.4.8
- VDE APPROVED (PENDING)

OPERATING SPECIFICATIONS.

- LINE VOLTAGE/CURRENT: 3 AMP., 120/250 VAC
- LINE FREQUENCY: 3 AMP./40°C, 250 VAC 50-60Hz
- MAX. CASE RISE & RATED CURRENT: 30°C
- MAX. LEAKAGE CURRENT, EACH LINE TO GROUND: 2µA at 120V 60 Hz
- OPERATING AMBIENT TEMP. RANGE: 5µA at 250V 50 Hz
- IN AN AMBIENT, T_a , HIGHER THAN 40°C, THE MAXIMUM OPERATING CURRENT, I_o , IS AS FOLLOWS: $I_o = I_r \sqrt{\frac{85-T_a}{45}}$

RELIABILITY SPECIFICATIONS.

- STORAGE TEMPERATURE: -40°C TO +85°C
- HUMIDITY: 21 DAYS @ 40°C 95% RH
- CURRENT OVERLOAD TEST: 6 TIMES RATED CURRENT FOR 8 SECONDS

TEST SPECIFICATIONS.

- INDUCTANCE: 1.0 mH NOMINAL
- CAPACITANCE, (MEASURED @ 1 KHz, 0.25 VAC MAX., 25°C ±1°C) LINE TO LINE: .01µF ±20%

DISCHARGE RESISTOR, LINE/GROUND AND LINE/LINE INSULATION RESISTANCE (W/O DISCHARGE RESISTOR)

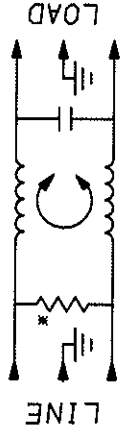
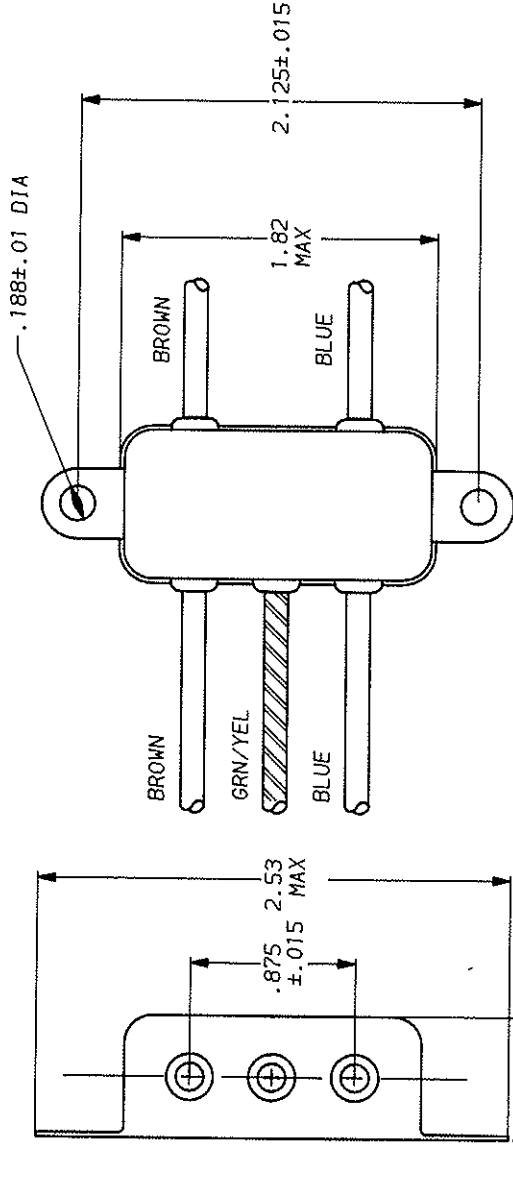
- 1.5 MΩ
- 6000 MΩ (MIN) AT 100 VDC
- 20°C AND 50% RH

RECOMMENDED RECEIVING INSPECTION HIPOT.

- 2250 VDC FOR 1 MINUTE
- 1450 VDC FOR 1 MINUTE

FILTER APPROVAL:

THE BEST WAY TO SELECT AND QUALIFY A FILTER IS FOR YOUR ENGINEERING TO TEST THE UNIT IN YOUR EQUIPMENT.



| 50Ω - 50m CHIRP/HD | | INSERTION LOSS | |
|--------------------|-------------------------|----------------|--|
| FREQUENCY MHz | .15 .5 1.0 5.0 10 20 30 | | |
| COMMON dB | 18 27 30 30 27 22 18 | | |

This document is proprietary to CORCOM INC. and is not to be reproduced nor used for manufacturing purposes except on CORCOM's order or prior written consent.



POWER LINE FILTER

| | | | |
|---------|----------|----------|---------|
| SCALE | DATE | ORG. NO. | REV. |
| NTS | 11-19-91 | | 3EH3.00 |
| REV. BY | DATE | CFW | CFW |

*RESISTOR ADDED TO PRODUCT BUILT AFTER 3-30-92 (9212).