

# 29F0818-0SR-10

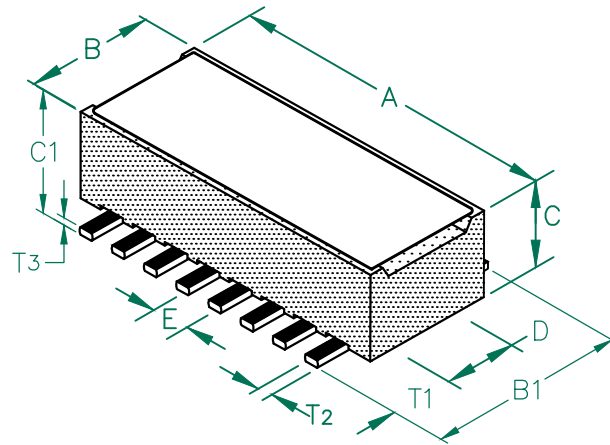
RoHS

**PHYSICAL DIMENSIONS:**

A	11.43 [.450]	+ 0.18 [.007]
B	4.50 [.177]	+ 0.08 [.003] - 0.10 [.004]
B1	7.04 [.277]	MAX
C	2.92 [.115]	+ 0.08 [.003]
C1	3.56 [.140]	MAX
D	2.24 [.088]	+ 0.08 [.003]
E	1.27 [.050]	+ 0.13 [.005]

**WIRE DIMENSIONS:**

T1	2.16 [.085]	+ 0.25 [.010]
T2	0.50 [.020]	TYP.
T3	0.25 [.010]	TYP.

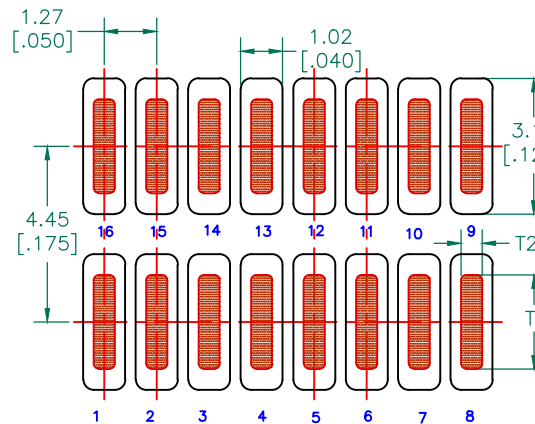


ELECTRICAL CHARACTERISTICS:			
	Z @ 100MHz (Ω)	DCR (Ω)	Rated Current
Nominal	75		
Minimum	56		
Maximum	94	0.01	6,000 mA

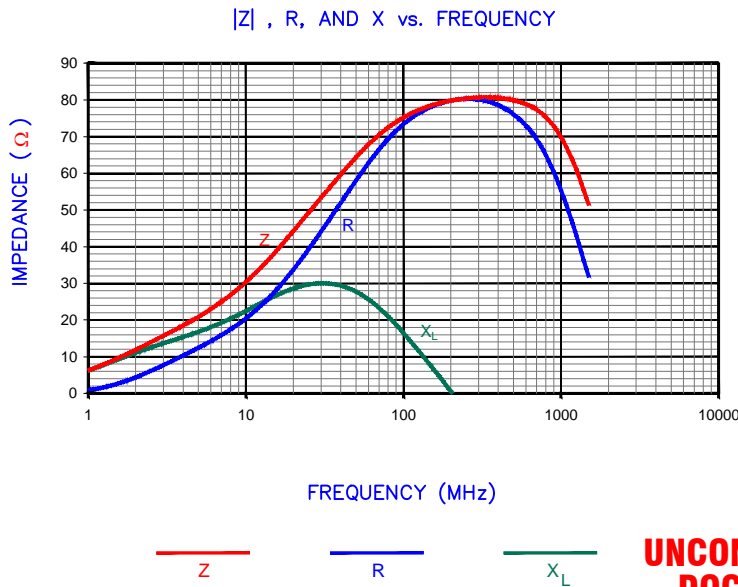
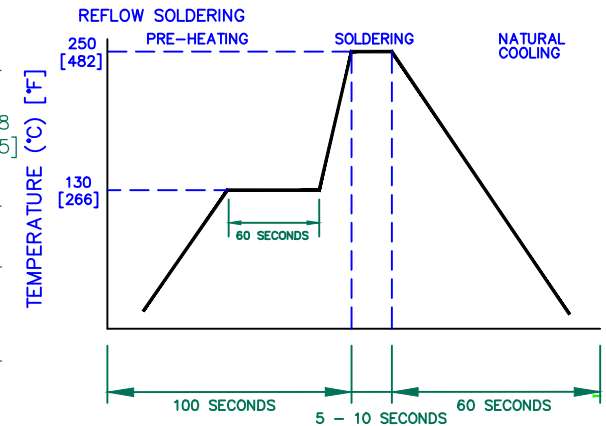
NOTES: UNLESS OTHERWISE SPECIFIED

1. TAPED AND REELED per CURRENT EIA SPECIFICATIONS 13" REELS, 900 PCS/REEL.
2. COMPONENTS SHOULD BE ADEQUATELY PREHEATED BEFORE SOLDERING.
3. REF. CARRIER TAPE SPECIFICATION
4. TERMINATION FINISH IS 100% TIN. # CART818-03.
6. OPERATION TEMPERATURE (INCLUDING SELF-HEATING): -40 ~ +125°C.

LAND PATTERNS FOR REFLOW SOLDERING



RECOMMENDED SOLDERING CONDITIONS



**UNCONTROLLED DOCUMENT**

DIMENSIONS ARE IN mm [INCHES].				This print is the property of Laird Tech. and is loaned in confidence subject to return upon request and with the understanding that no copies shall be made without the written consent of Laird Tech. All rights to design or invention are reserved.		<b>Laird</b>	
E	ADD NOTE 6	08/30/12	QIU	PROJECT/PART NUMBER:	REV	DRAWN BY:	
D	UPDATE COMPANY LOGO	10/22/08	JRK	29F0818-0SR-10	E	JRK	
C	UPDATE COMPANY LOGO	05/03/07	JRK			SCALE:	SHEET:
B	CHG TOLS ON E, ADD ROHS COR T2/T3	03/20/07	JRK	DATE:	NTS	1 of 2	
A	ORIGINAL DRAFT	04/30/04	JRK	CAD #	TOOL #		
REV	DESCRIPTION	DATE	INT	29F0818-0SR-10-E-1			